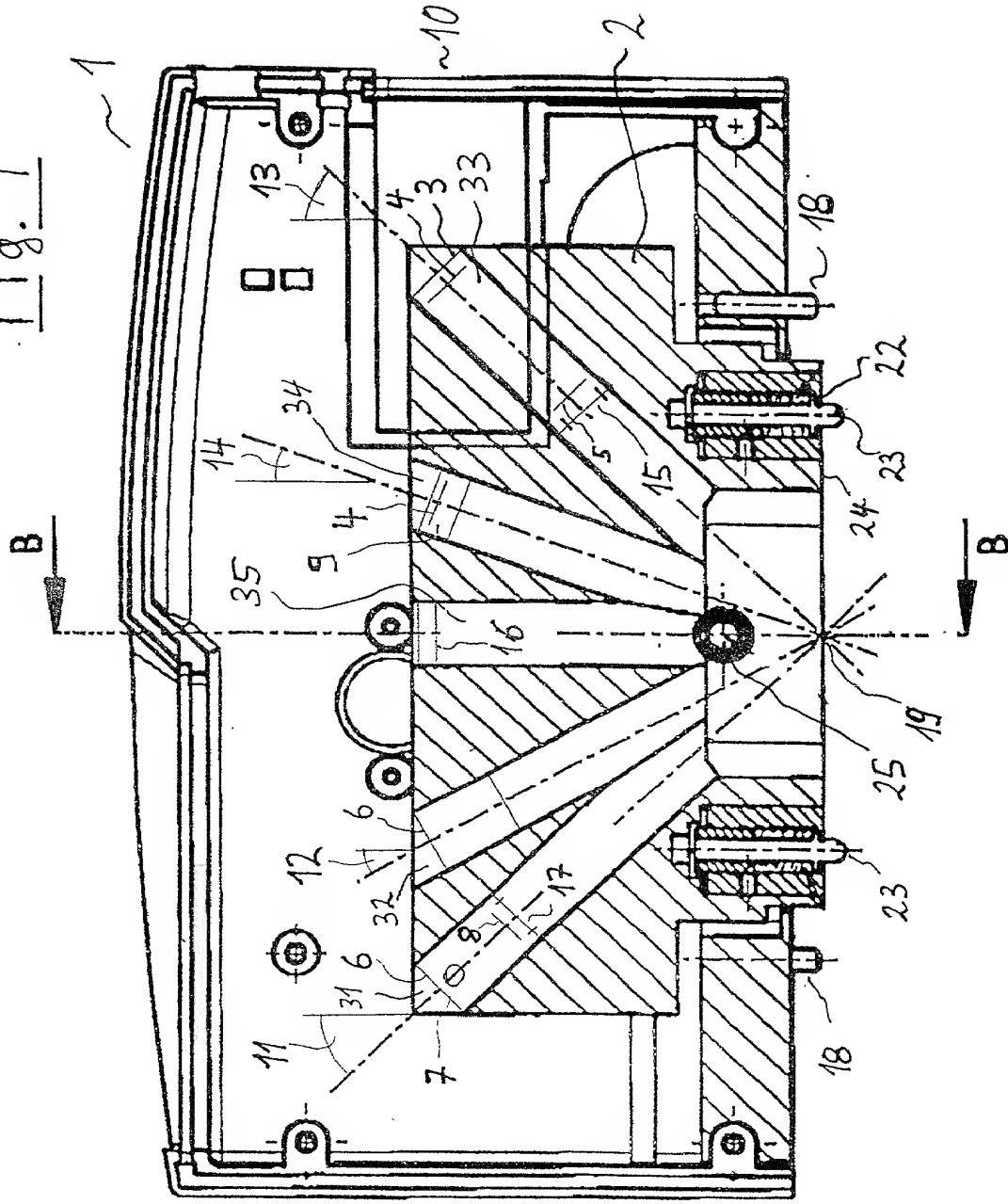


1/9

FOR 290° TAKEOFF

Fig. 1



2/9

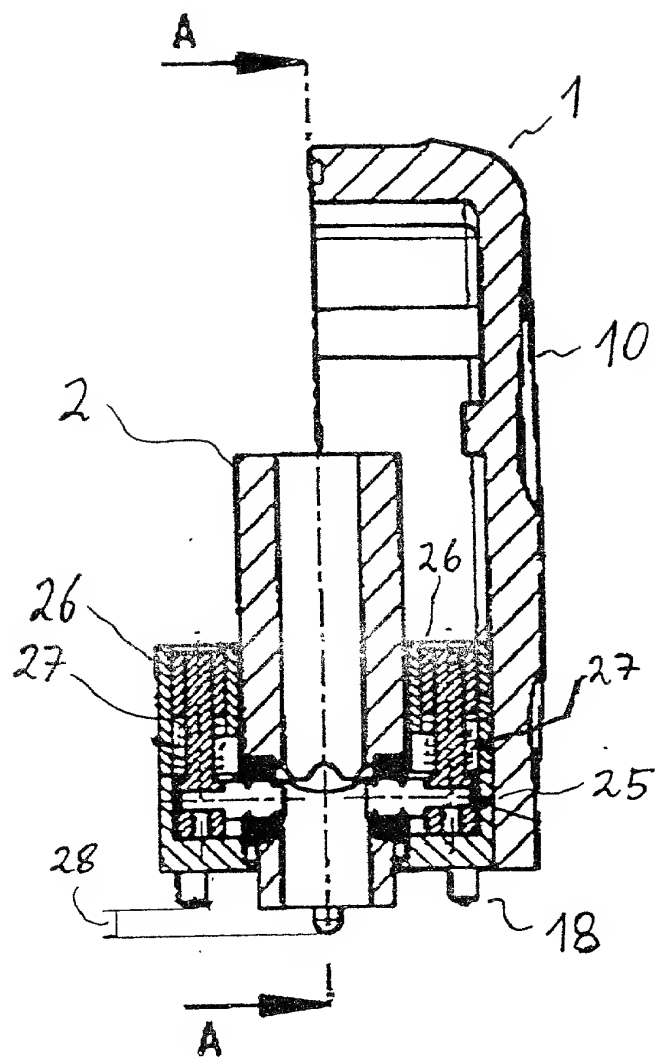


Fig. 2

FOR 290 " 144E860





5/9

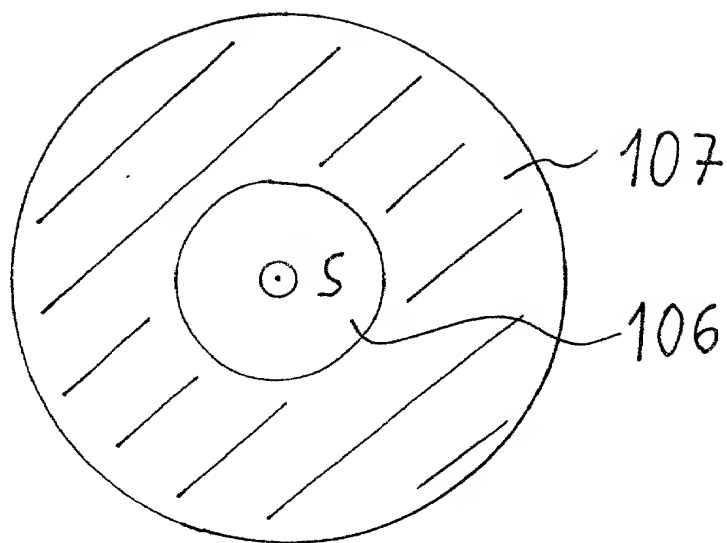


Fig. 5

FORGED THERMO

6/9

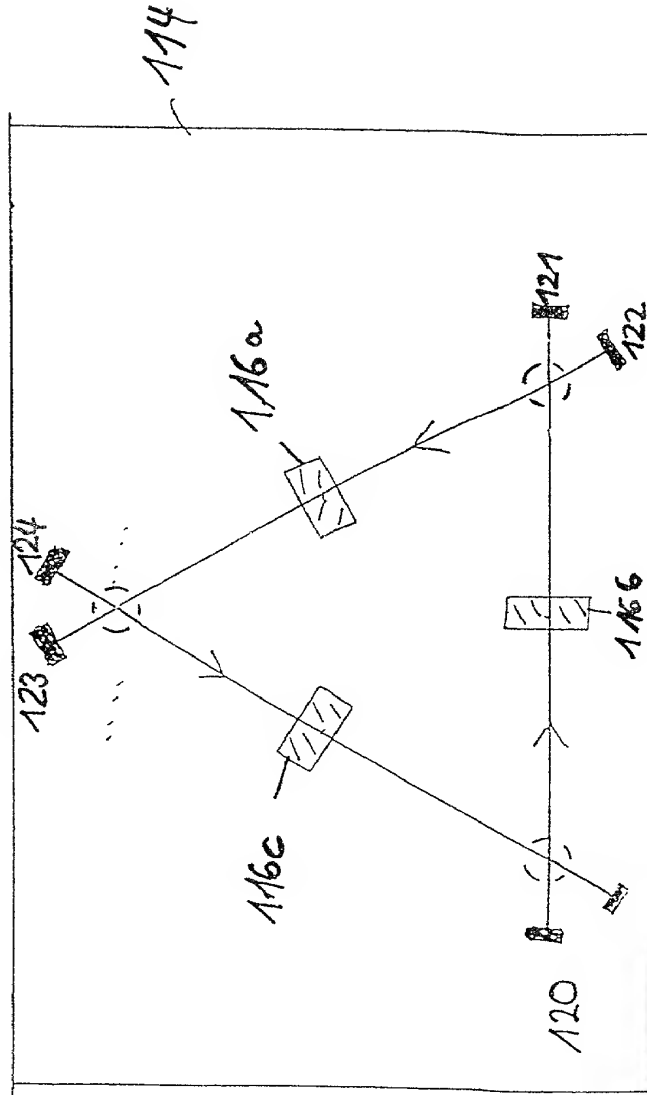
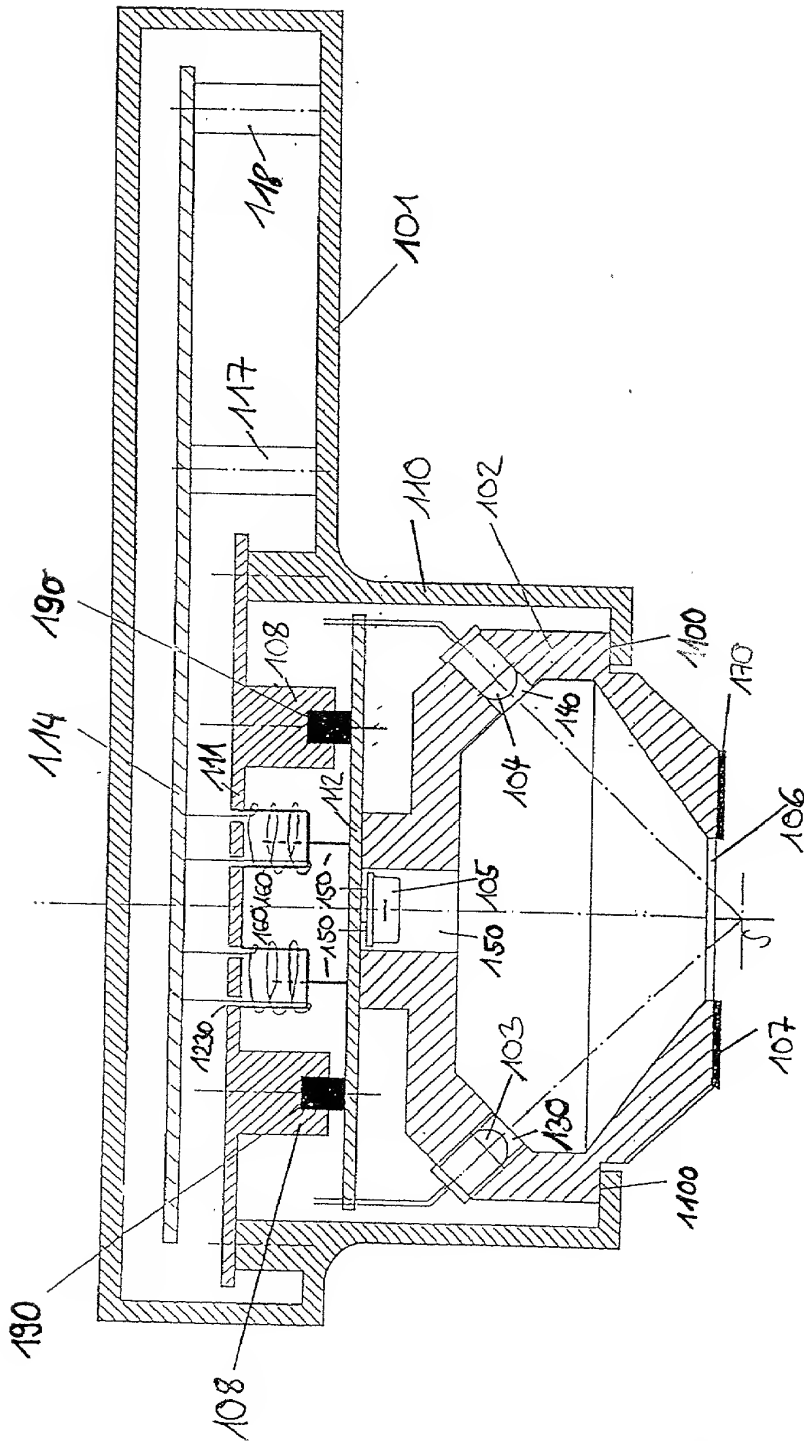


Fig. 6



7/9

Fig. 7

8/9

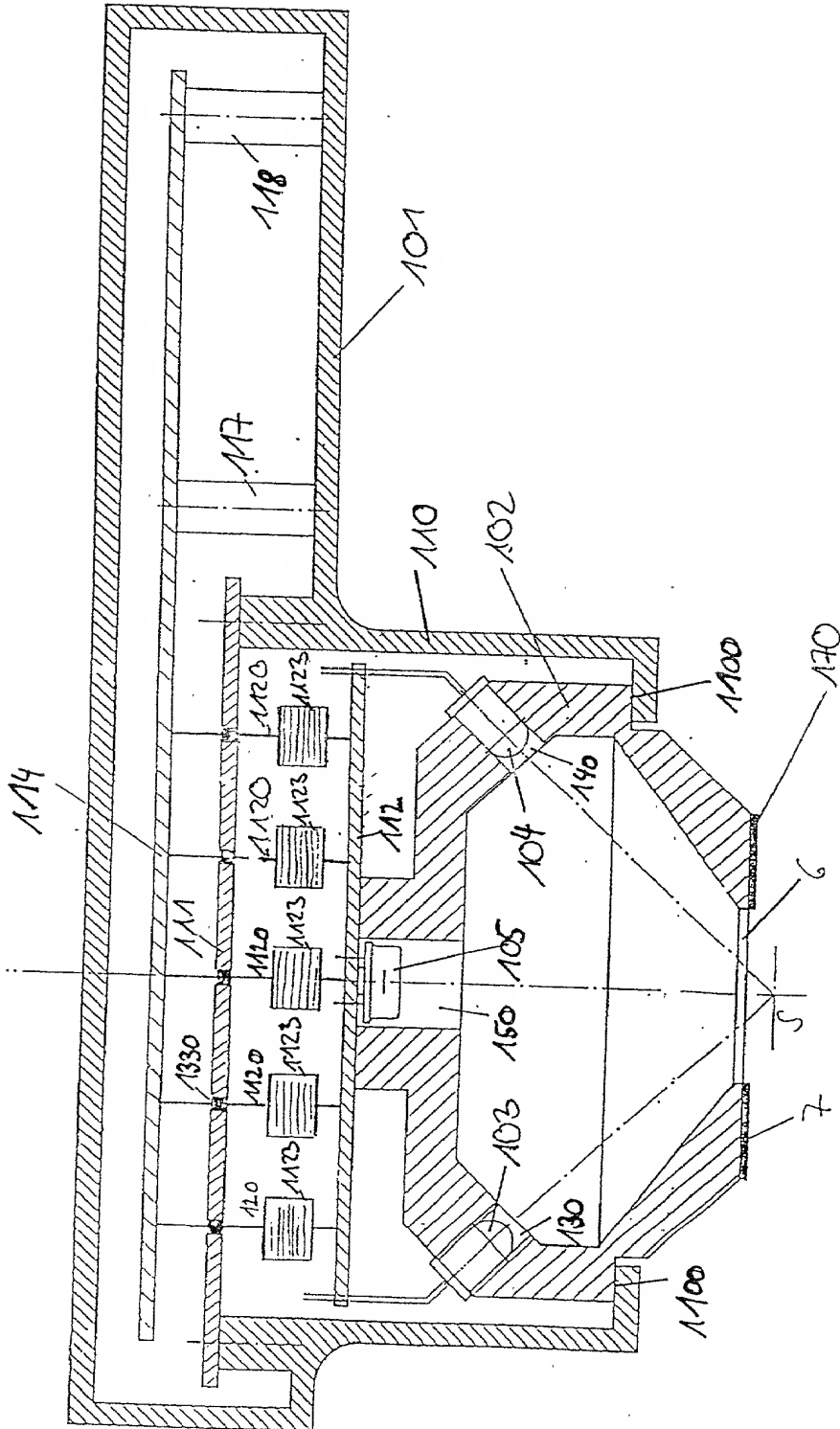


Fig. 8



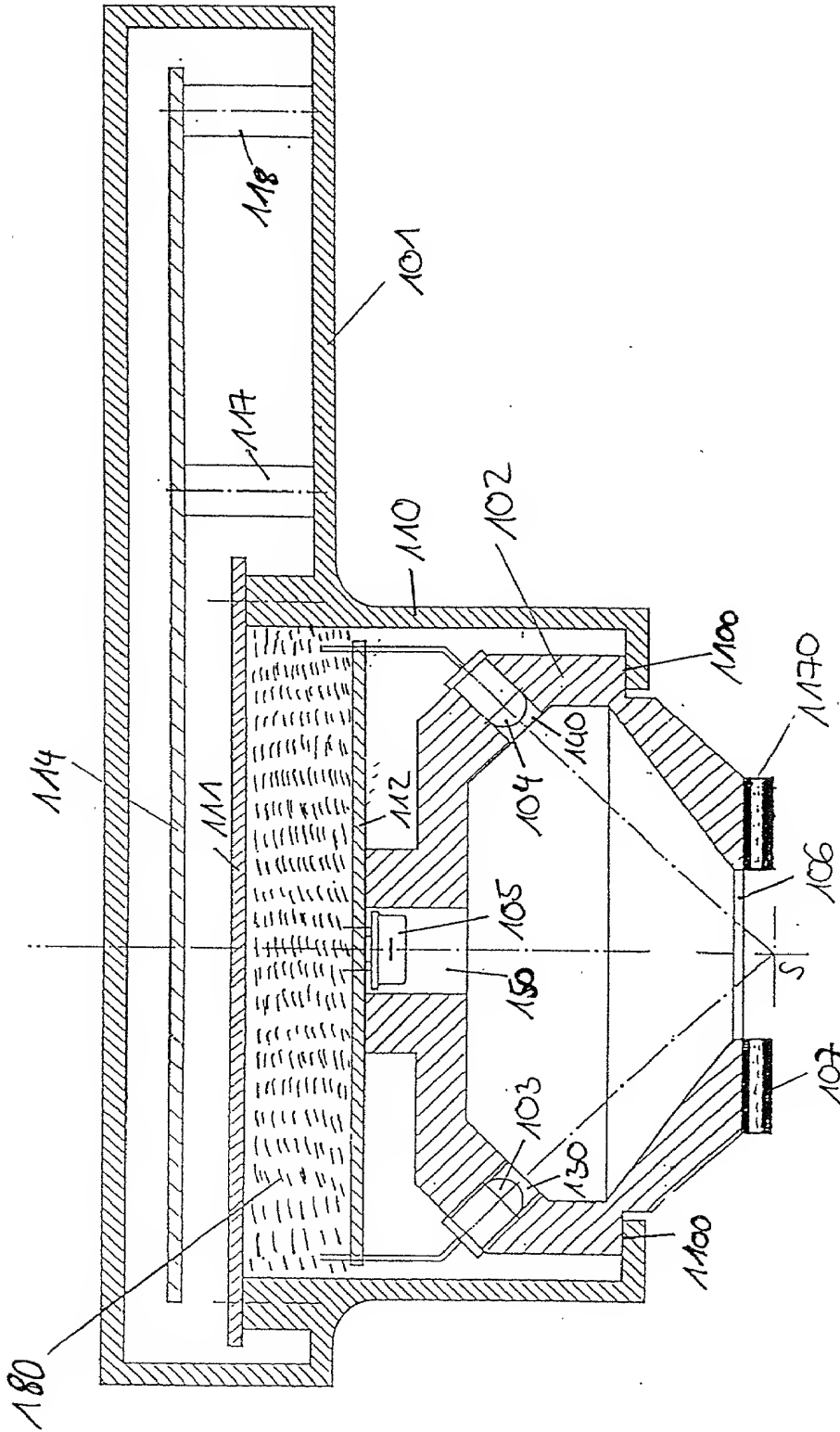


Fig. 9